

## Transitional Slide Bar

349B

**Product Description:** Transitional slide bar

**Product Dimensions:** W25 x H785 mm

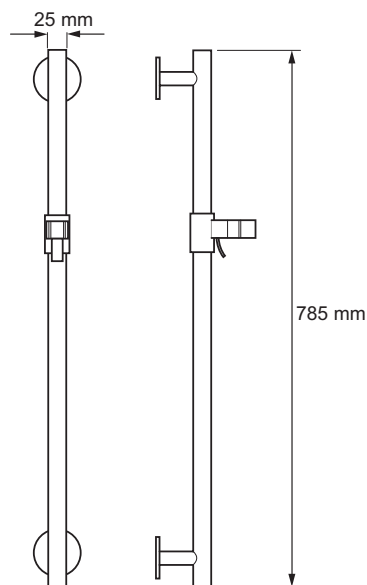
**Colour/Finish:** Polished Chrome

**Material:** Chrome Plated

**Product Weight (kg):** 2.5

**Fixings Included:** No

**Guarantee (Years):** 2

**Dimensions (mm)**

Dimensions shown  
at scale 1:10

**Kohler UK**

Sales and Technical:

+44 (0) 844 571 0048 (Calls cost 7p per minute plus your phone company's access charge)

info@kohler.co.uk

www.KOHLER.co.uk

THE BOLD LOOK  
OF **KOHLER**®